

ES2150 BESS Container **datasheet**

- Category:

Liquid Cooling BESS Container

- Application:

Remote Area, EV Station, Industrial & Commercial, Residential, Frequency Regulation, Power Station

- Benefits:

Enhanced Grid Reliability and Resilience, Cost Savings, Environmental Benefits, Energy Independence, Improved Power Quality, Scalability and Flexibility, Support for Electrification

- Hardwares:

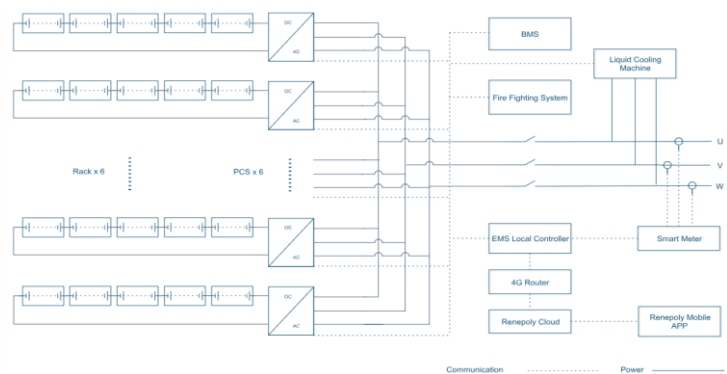
Packs, BMS, HV Box, PCS, PDU, FFS, EMS Controller Set, Enclosed Cabinet

- Software: BMS, EMS

- Cloud Platforms: Renepoly Cloud

- Data Sheet: ES2150 Container Datasheet

- User Manual: ES2150 Container User Manual



Technical Parameters

AC Side (Grid Tied Scenario)

AC Output Power	1000kW
Max. AC Current	1600A
Nominal AC Voltage / Range	400V/230V (-20% ~ 15%)
Nominal Grid Frequency/Range	50Hz/47Hz ~ 52Hz 60Hz/57Hz ~ 62Hz
Harmonic(THD)	<3% (at Nominal Power)
Power Factor at Nominal Power/Adjustable	-1 ~ 1
Cooling Concept of PCS Chamber	Air Cooling
Seamless Switching from Grid to BESS In Case of Power Outage	Optional

AC Side (Microgrid Scenario)

Nominal AC Voltage	400V/230V
Harmonic (THD)	< 1% (Resistance Load)
Nominal Frequency/Range	50Hz/45Hz ~ 55Hz 60Hz/55Hz ~ 65Hz
Max. AC Power	1100kW

Batteries

Nominal Battery Voltage	768VDC
Battery Type	LiFePO4 3.2V/280Ah
Battery Pack Configuration	1P48S/43.008kWh
Battery System Configuration	10P240S
Capacity	2150.4kWh
Battery Voltage Range	672-852VDC
Max Charging/Discharging Current	1400A
Battery Disconnect	Integrated
Cooling concept of battery chamber	Liquid Cooling

General Parameters

Dimension W*D*H	6058*2438*2591mm
Charge/Discharge Rate	0.5C
Depth of Discharge	95%
Life Cycle	6000
Degree of Protection	IP54
System Efficiency	~90% (Without Auxiliary Equipment Energy Consumption)
Fire Protection System	Aerosol
Allowed Ambient Temperature	-30 ~ 60°C (>45°C Derating)
Allowed Relative Humidity	0 ~ 95%
Working Altitude	<2000m
Enclosure Corrosion Resistance Level	C3 (C4/C5 Optional)
Weight	~21000kg
SPD	DC TYPE II/AC TYPE II
Lifting Options	Crane
Scalability	Yes, Units Can Be Connected In Parallel

Monitoring

Display	7 Inches Touchscreen
Communication	RS485/Ethernet
Communication Protocols	MODBUS-RTU/MODBUS-TCP
Remote Control System	Renepoly Cloud

Certifications

Battery Cell	CE, RoHS, UN38.3, MSDS, UL, ESG
Battery Pack	CE, UL, UN38.3, MSDS
Battery Rack	CE, UL, UN38.3, MSDS
Power Conversion System	CE, EN50549-1, EN50549-2, NRS097-21-1:2017, VDE4105, VDE4110, VDE4120, C10/11:2019, G99, PN50549, EIFS2018:02, CEI021/16, NTS632:2019

Add: U3 Building, No.6 Lianpu Street, Huangpu District, Guangzhou, China

Tel: +86 (020)31800796 Email: Info@renepoly.com

<https://www.renepoly.com>

The three components of the RENEPOLY Battery Energy Storage System

BESS cabinet / BESS Container, Energy Management System and ReneCloud / ReneApp & energy services



1. BESS cabinet / BESS Container

A business that generates and uses its own energy is well on the way towards independence.

In trades, gastronomy or agriculture – whatever your line of business, RENEPOLY battery storage systems reduce your dependence on energy suppliers and make you less vulnerable to price fluctuations and interruptions in supply.

Interested in RENEPOLY BESS Products?

Simply scan the QR code to subscribe and access all the info you need about our products and special offers.



2. Microgrid Energy Management System

Energy flows can be recorded, controlled and monitored with the innovative RENEPOLY energy management system – consisting of the RENEPOLY Energy Manager System cabinet and the ReneCloud portal.

Want to explore renewable energy sources further?
In a hurry? Book a meeting with us now—just scan the QR code right now.
We can provide a free analysis and tailored one-stop solutions based on your needs.
Looking forward to seeing you there!



3. ReneCloud / ReneApp and energy services

By setting individual operational strategies, you can combine a wide variety of applications and thus perfectly adapt the system to the needs of commerce and industry.

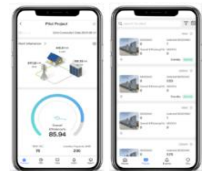
Curious about ReneCloud?
Scan the QR code right now, register for a test account, and explore all the features of our energy management solution at your own pace. And if you need any help, we're happy to assist!



ReneCloud



APP Android download



ReneApp

This data sheet is strictly informational and is not legally binding. The exact specifications and/or product features (particularly in case of further development of the products) may differ somewhat from the information provided here.
Subject to errors and changes. Please read the safety and installation instructions carefully and completely before using the product. In case of purchase, the currently valid guarantee policies and the general terms and conditions of delivery and business of RENEPOLY apply.

Add: U3 Building, No.6 Lianpu Street, Huangpu District, Guangzhou, China

Tel: +86 (020)31800796 Email: Info@renepoly.com

<https://www.renepoly.com>