

**ES2515 BESS Container**

**datasheet**

**- Category:**

Liquid Cooling BESS Container

**- Application:**

Remote Area, EV Station, Industrial & Commercial, Residential, Frequency Regulation, Power Station

**- Benefits:**

Enhanced Grid Reliability and Resilience, Cost Savings, Environmental Benefits, Energy Independence, Improved Power Quality, Scalability and Flexibility, Support for Electrification

**- Hardwares:**

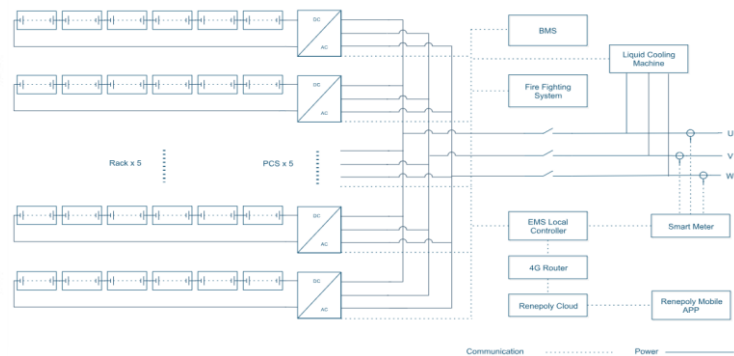
Packs, BMS, HV Box, PCS, PDU, FFS, EMS Controller Set, Enclosed Cabinet

**- Software:** BMS, EMS

**- Cloud Platforms:** Renepoly Cloud

**- Data Sheet:** ES2150 Container Datasheet

**- User Manual:** ES2150 Container User Manual



## Technical Parameters

### AC Side (Grid Tied Scenario)

AC Output Power	1250kW
Max. AC Current	1270A
Nominal AC Voltage / Range	550V
Nominal Grid Frequency/Range	50Hz/47Hz ~ 52Hz 60Hz/57Hz ~ 62Hz
Harmonic(THD)	<3% (at Nominal Power )
Power Factor at Nominal Power/Adjustable	-1 ~ 1
Cooling Concept of PCS Chamber	Air Cooling
Seamless Switching from Grid to BESS In Case of Power Outage	Yes

### AC Side (Microgrid Scenario)

Nominal AC Voltage	550V
Harmonic (THD)	< 1% (Resistance Load)
Nominal Frequency/Range	50Hz/45Hz ~ 55Hz 60Hz/55Hz ~ 65Hz
Max. AC Power	200% 1s、 150% 60s@ Duty Cycle 300s

### Batteries

Nominal Battery Voltage	998.4VDC
Battery Type	LiFePO4 3.2V/280Ah
Battery Pack Configuration	1P52S/46.592kWh
Battery System Configuration	9P312S
Capacity	2515.968kWh
Battery Voltage Range	873.6-1123.2VDC
Max Charging/Discharging Current	1260A
Battery Disconnect	Integrated
Cooling concept of battery chamber	Liquid Cooling

### General Parameters

Dimension W*D*H	6058*2438*2896mm
Charge/Discharge Rate	0.5C
Depth of Discharge	95%
Life Cycle	6000
Degree of Protection	IP54
System Efficiency	~91% (Without Auxiliary Equipment Energy Consumption)
Fire Protection System	Aerosol
Allowed Ambient Temperature	-30 ~ 60°C (>45°C Derating)
Allowed Relative Humidity	0 ~ 95%
Working Altitude	<2000m
Enclosure Corrosion Resistance Level	C3 (C4/C5 Optional)
Weight	~25000kg
SPD	DC TYPE II/AC TYPE II
Lifting Options	Crane
Scalability	Yes, Units Can Be Connected In Parallel

### Monitoring

Display	7 Inches Touchscreen
Communication	RS485/Ethernet
Communication Protocols	MODBUS-RTU/MODBUS-TCP
Remote Control System	Renepoly Cloud

### Certifications

Battery Cell	CE, RoHS, UN38.3, MSDS, UL, ESG
Battery Pack	CE, UL, UN38.3, MSDS
Battery Rack	CE, UL, UN38.3, MSDS
Power Conversion System	UL1741

Add: U3 Building, No.6 Lianpu Street, Huangpu District, Guangzhou, China

Tel: +86 (020)31800796 Email: Info@renepoly.com

<https://www.renepoly.com>

# The three components of the RENEPOLY Battery Energy Storage System

**BESS cabinet / BESS Container, Energy Management System and ReneCloud / ReneApp & energy services**



## 1. BESS cabinet / BESS Container

A business that generates and uses its own energy is well on the way towards independence.

In trades, gastronomy or agriculture – whatever your line of business, RENEPOLY battery storage systems reduce your dependence on energy suppliers and make you less vulnerable to price fluctuations and interruptions in supply.

Interested in RENEPOLY BESS Products?

Simply scan the QR code to subscribe and access all the info you need about our products and special offers.



## 2. Microgrid Energy Management System

Energy flows can be recorded, controlled and monitored with the innovative RENEPOLY energy management system – consisting of the RENEPOLY Energy Manager System cabinet and the ReneCloud portal.

Want to explore renewable energy sources further?  
In a hurry? Book a meeting with us now—just scan the QR code right now.  
We can provide a free analysis and tailored one-stop solutions based on your needs.  
Looking forward to seeing you there!



## 3. ReneCloud / ReneApp and energy services

By setting individual operational strategies, you can combine a wide variety of applications and thus perfectly adapt the system to the needs of commerce and industry.

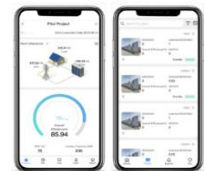
Curious about ReneCloud?  
Scan the QR code right now, register for a test account, and explore all the features of our energy management solution at your own pace. And if you need any help, we're happy to assist!



ReneCloud



APP Android download



ReneApp

This data sheet is strictly informational and is not legally binding. The exact specifications and/or product features (particularly in case of further development of the products) may differ somewhat from the information provided here.  
Subject to errors and changes. Please read the safety and installation instructions carefully and completely before using the product. In case of purchase, the currently valid guarantee policies and the general terms and conditions of delivery and business of RENEPOLY apply.

Add: U3 Building, No.6 Lianpu Street, Huangpu District, Guangzhou, China

Tel: +86 (020)31800796 Email: Info@renepoly.com

<https://www.renepoly.com>